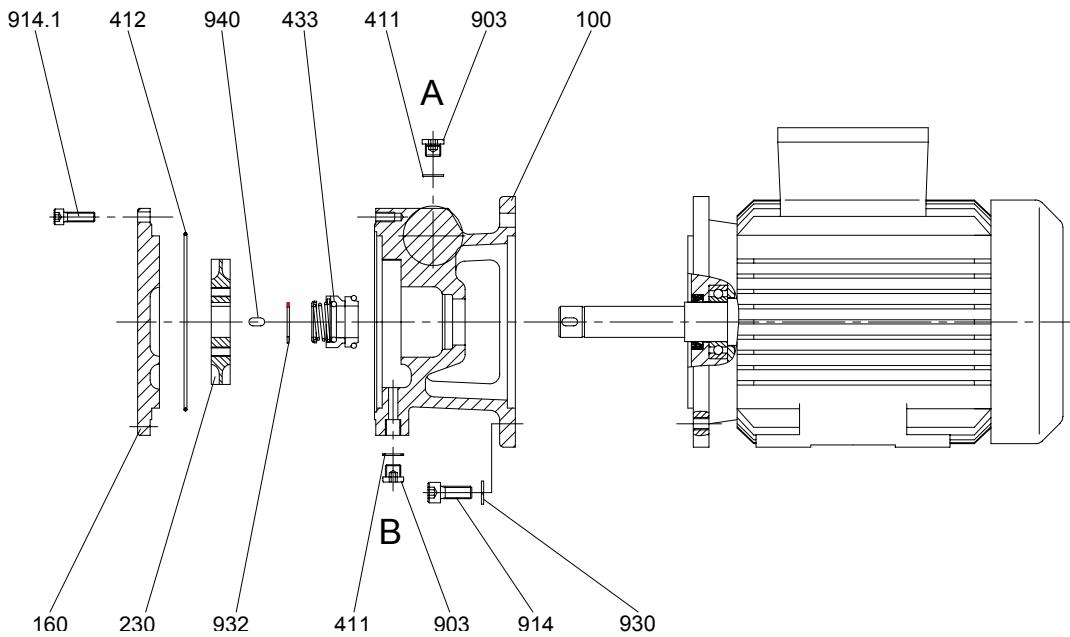


PBU 201 E10



A: Screwed plug G¹/₈ for vent and manometer connection
 B: Screwed plug G¹/₈ for drain

part no.	designation	part no.	designation	part no.	designation
100	casing	412	o-ring	914/.1	hexagon socket head cap screw
160	cover	433	mechanical seal	930	tooth lock washer
230	impeller	507	deflector	932	circlip
411	joint ring	903	screwed plug	940	key

When ordering spare parts, please indicate serial no., type no. and parts no.